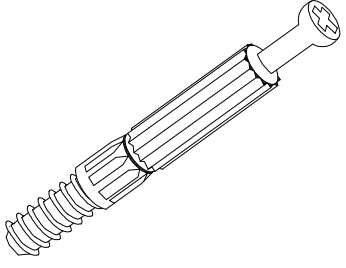


4066

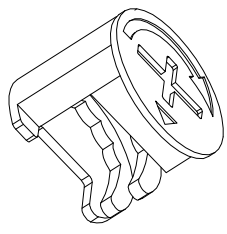
x12



Ø6,5x36,5 mm

3996

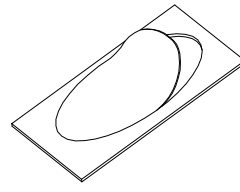
x12



Ø15x12 mm

136239

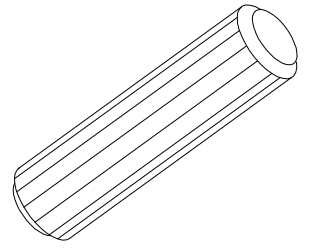
x12



Ø20 mm

3989

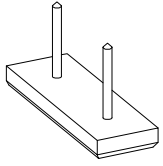
x24



Ø8x30 mm

90907

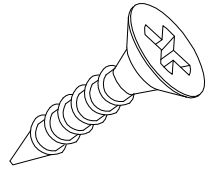
x6



45x15x5 mm

3918

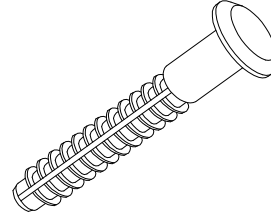
x8



Ø3,5x16 mm

IN01157

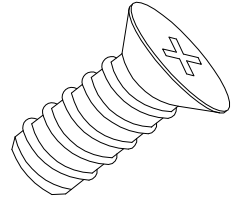
x4



Ø12x42 mm

3877

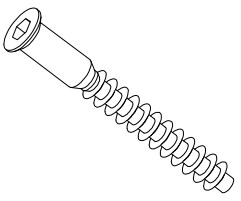
x4



Ø6,0x13 mm

3884

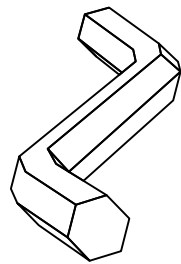
x6



Ø6,4 mm/50mm

3984

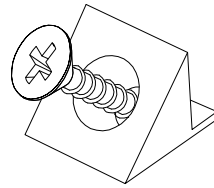
x1



4 mm

4044

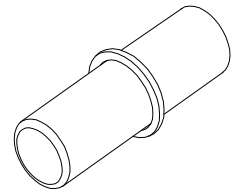
x7



15x14x11 mm

4017

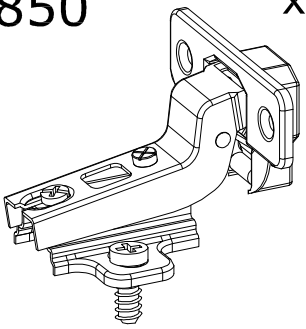
x1



Ø5x16 mm

68850

x2

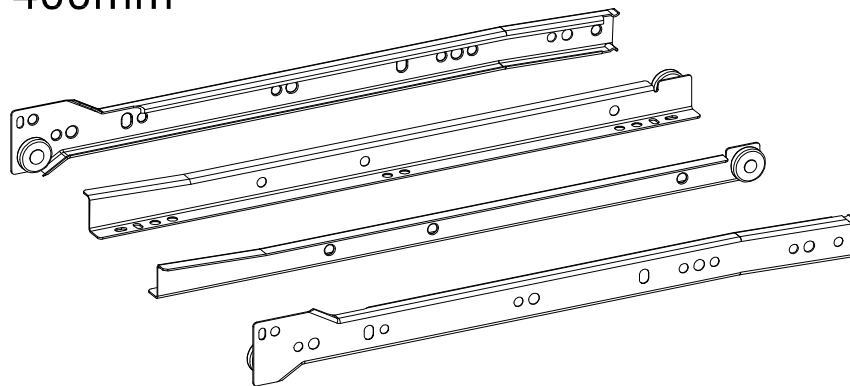


(h=2 ZP-BICN072ZEO)

Ø35 mm , KR15

L-400mm

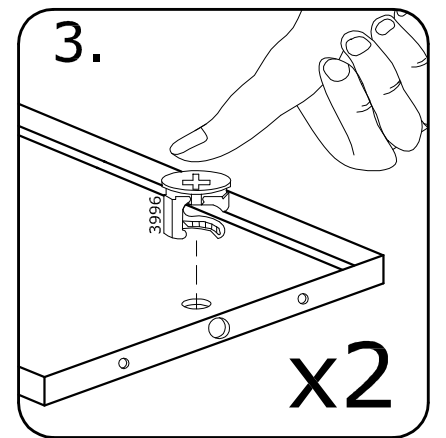
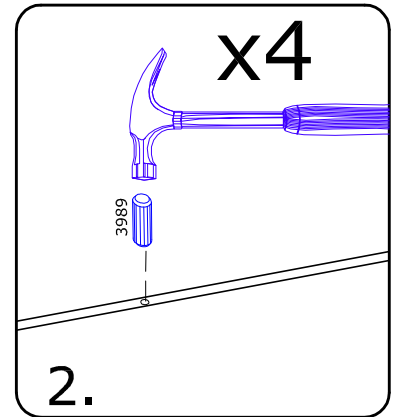
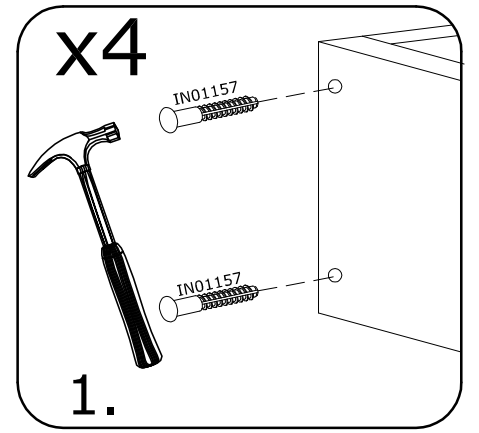
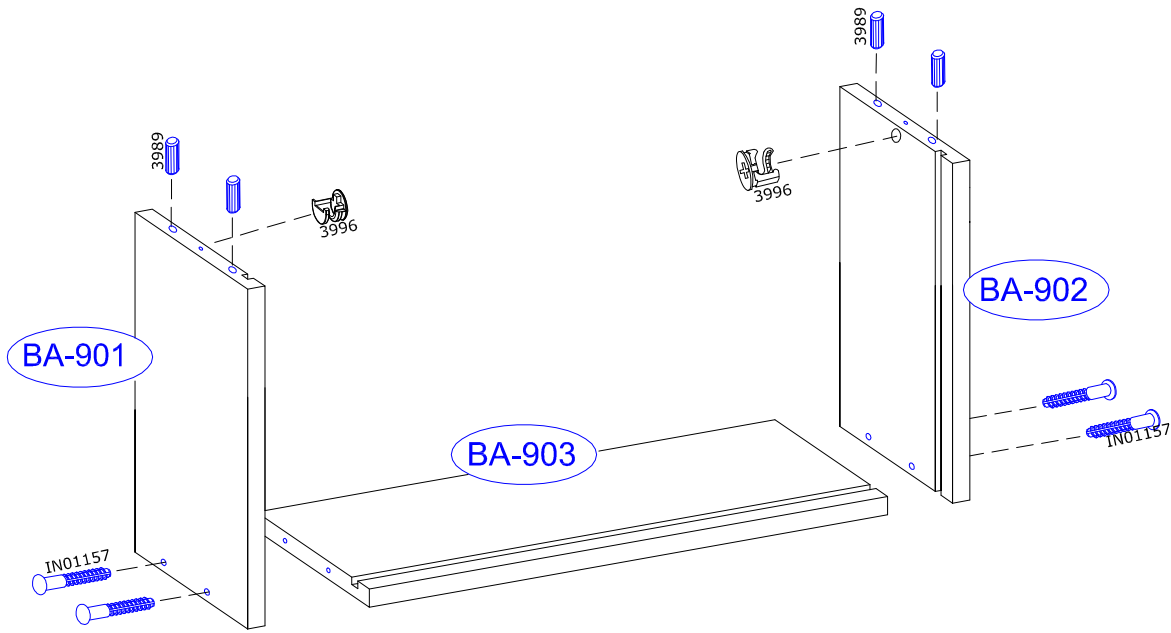
x1



3806

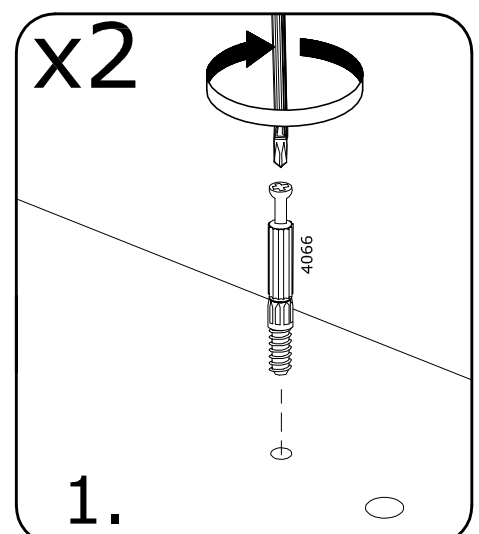
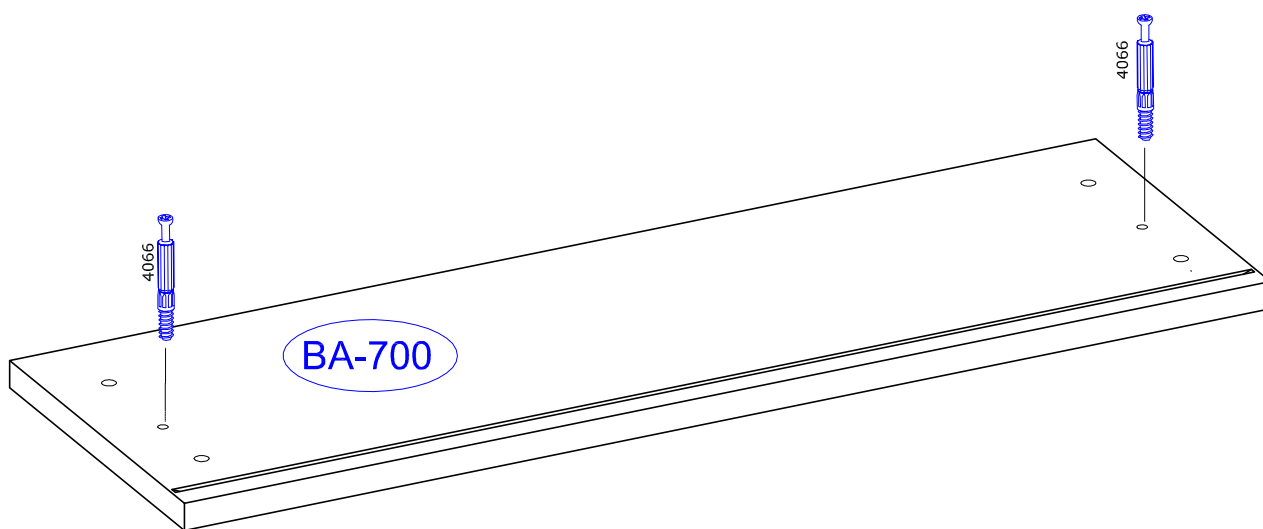
# 1

<b>3989</b>  x4	<b>IN01157</b>  x4	<b>3996</b>  x2		
---	---	--	--	--



# 2

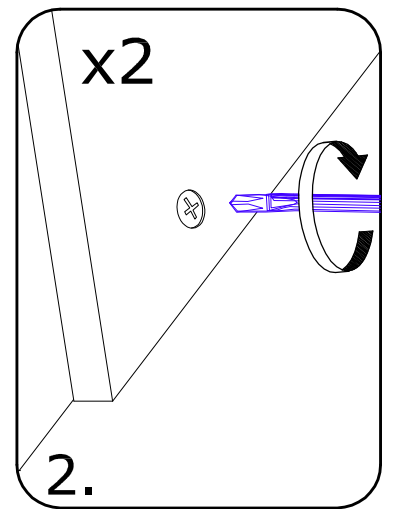
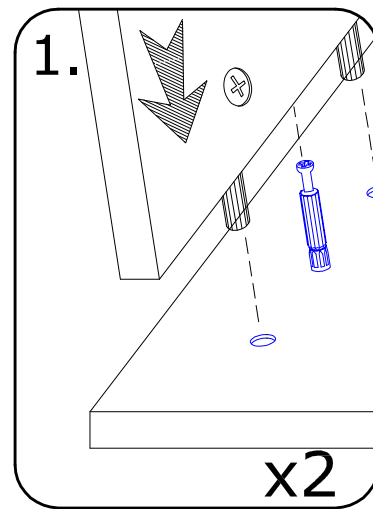
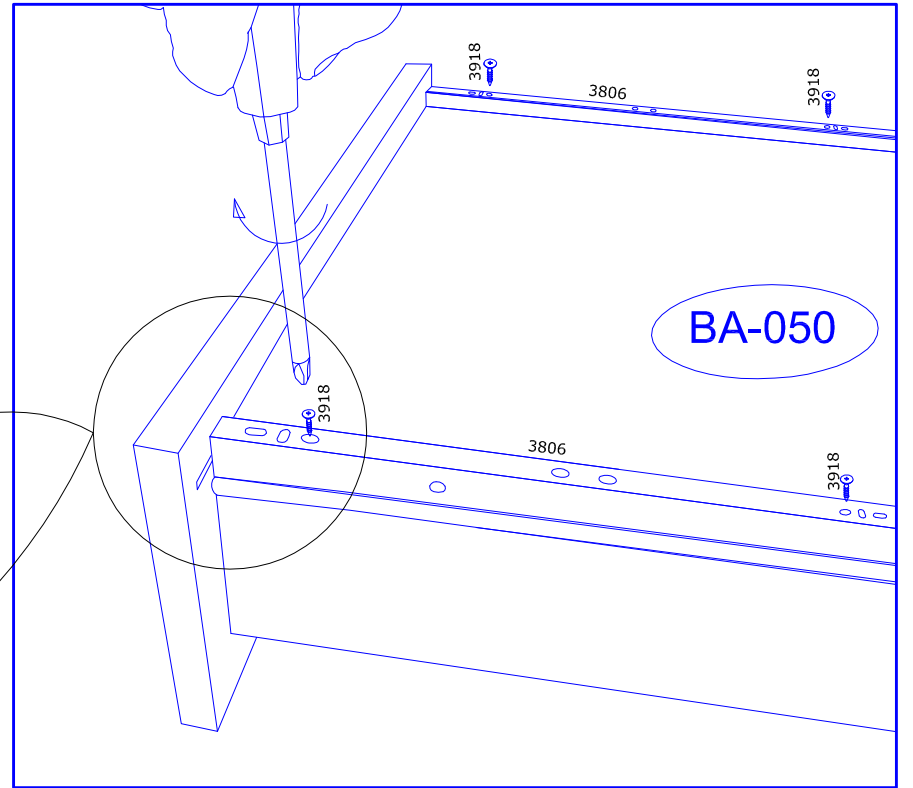
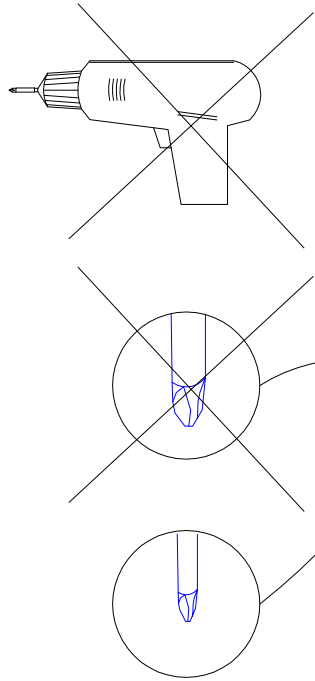
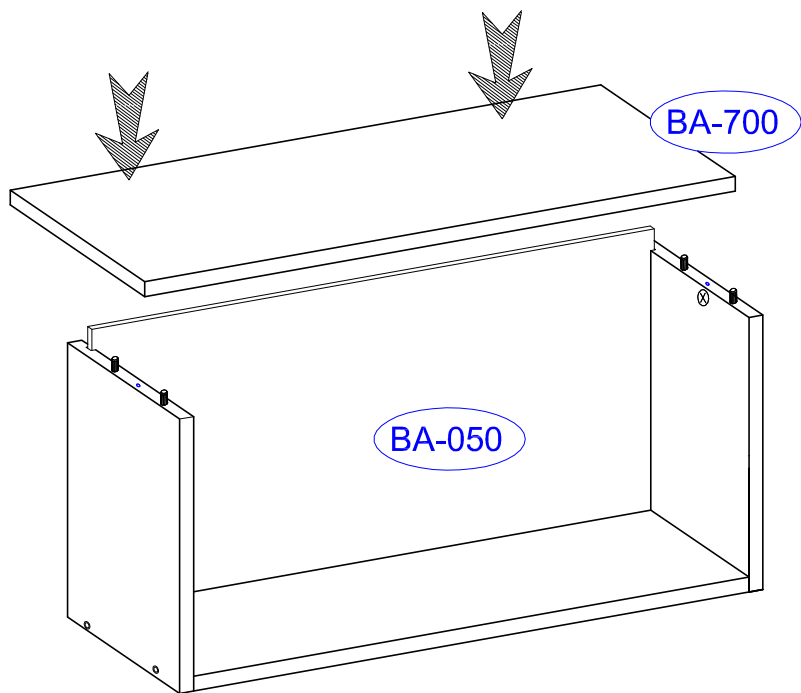
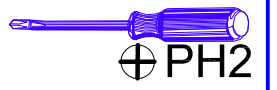
<b>4066</b>  x2		 ⊕ PH2
--	--	--



# 3

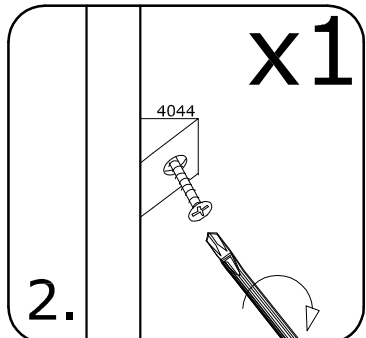
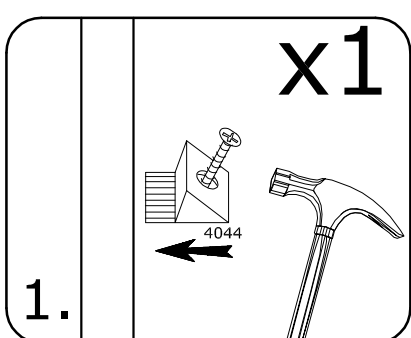
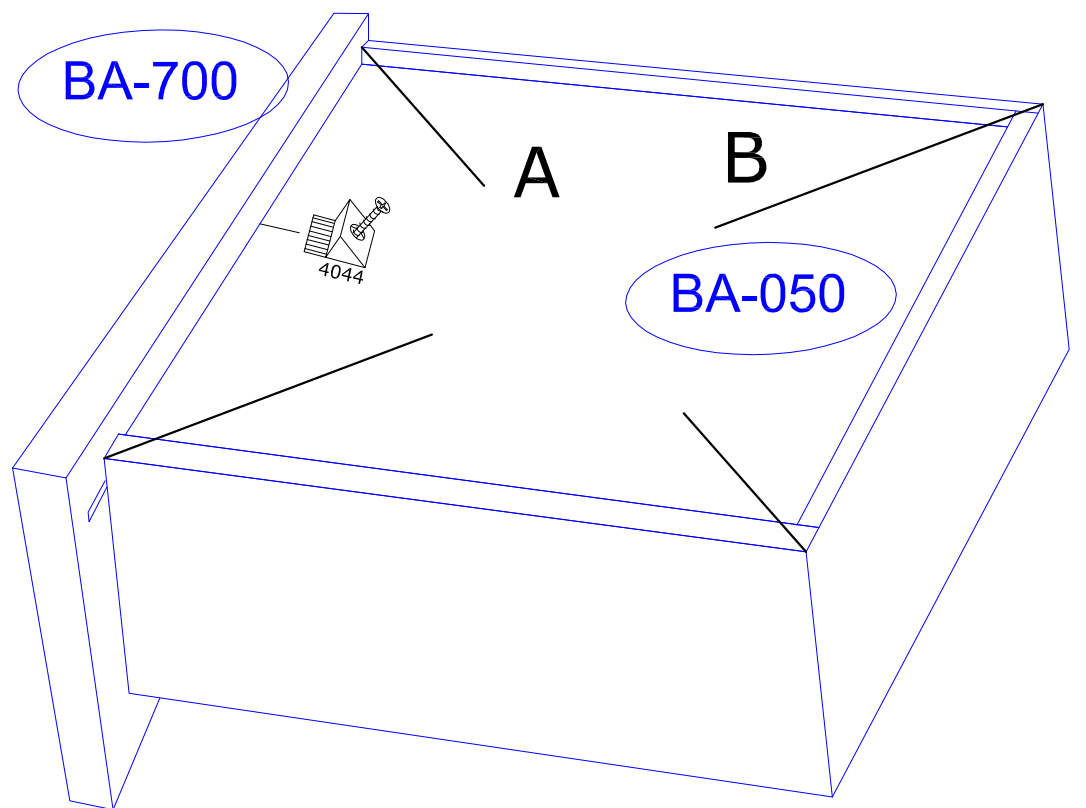
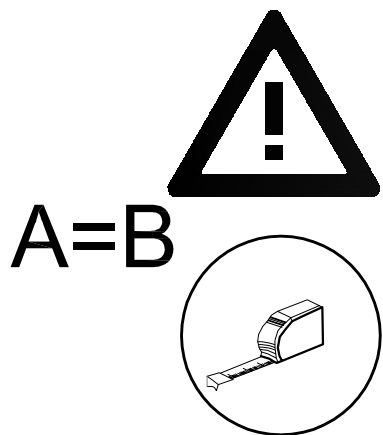
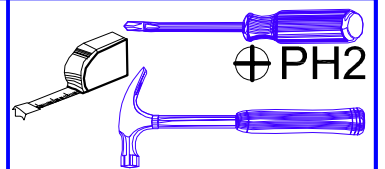
3806  
x1

3918  
x4



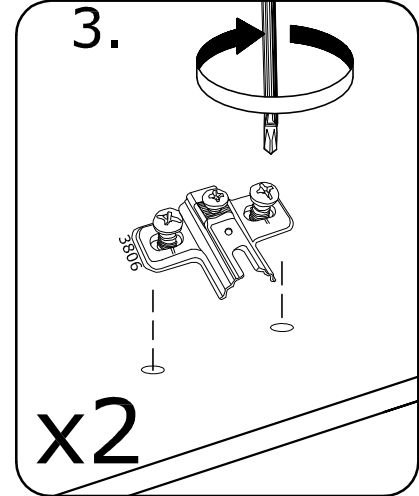
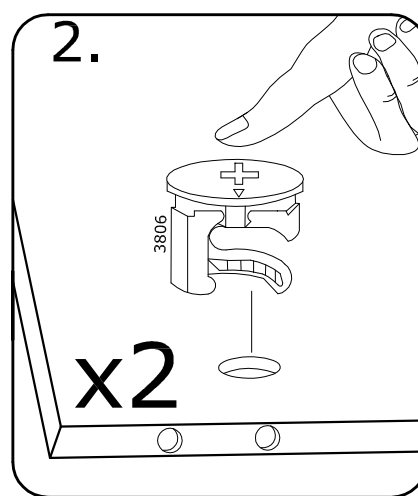
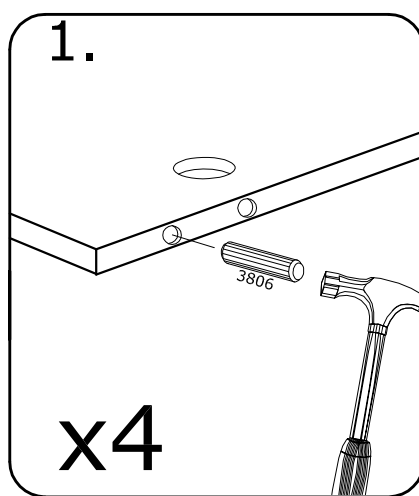
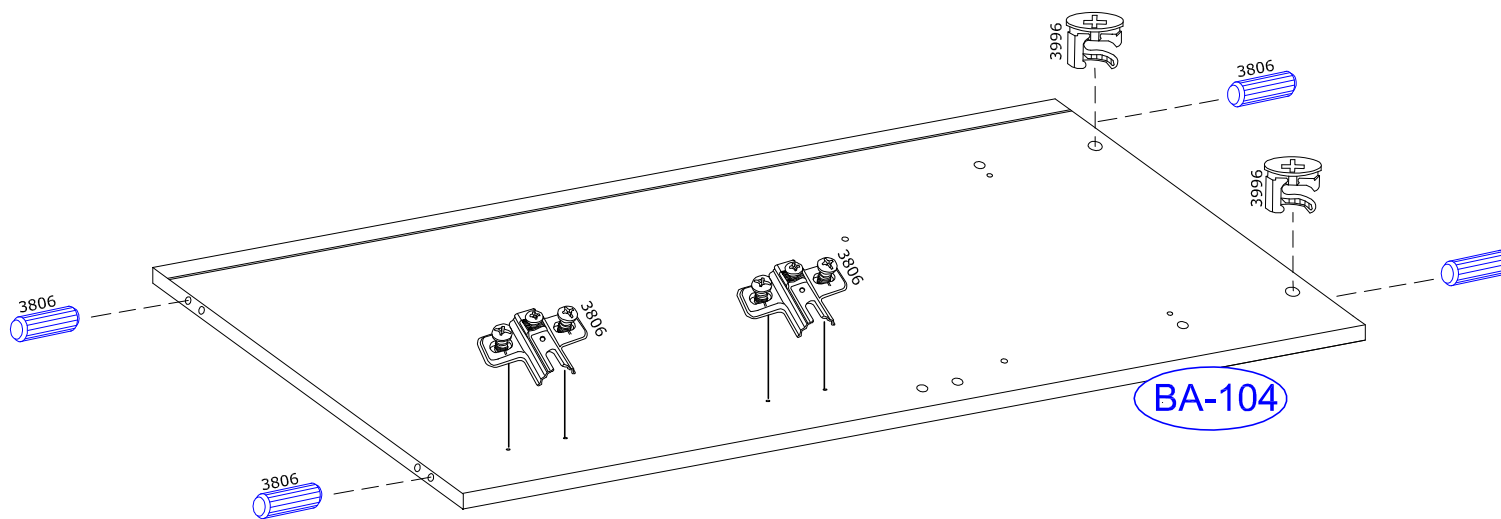
# 4

4044  
x1



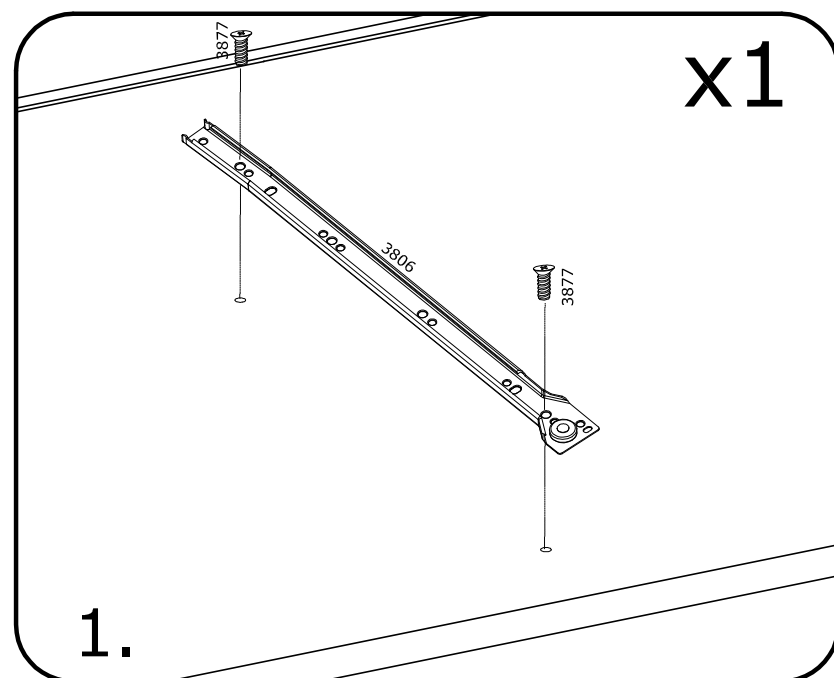
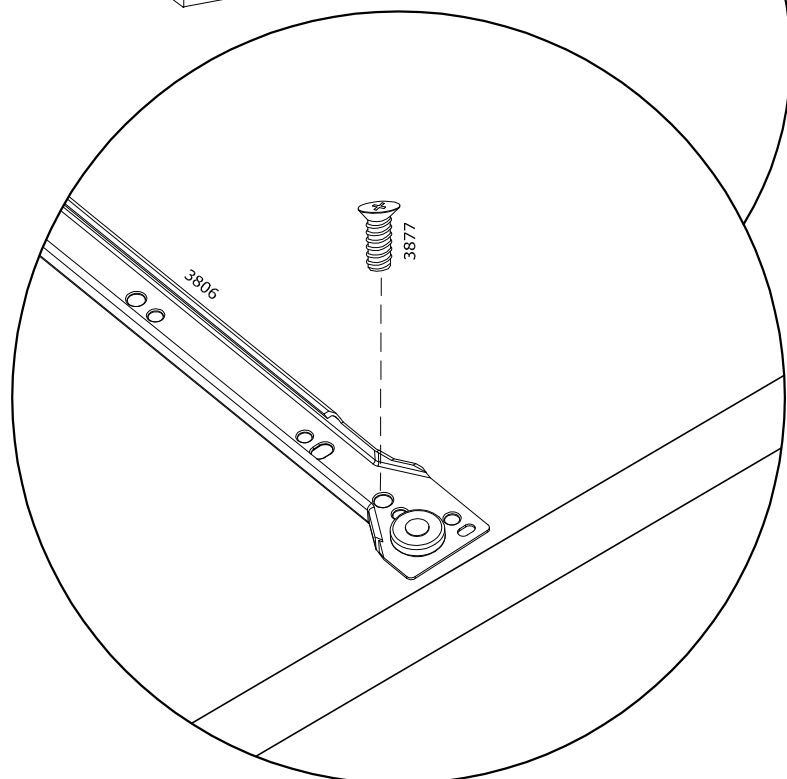
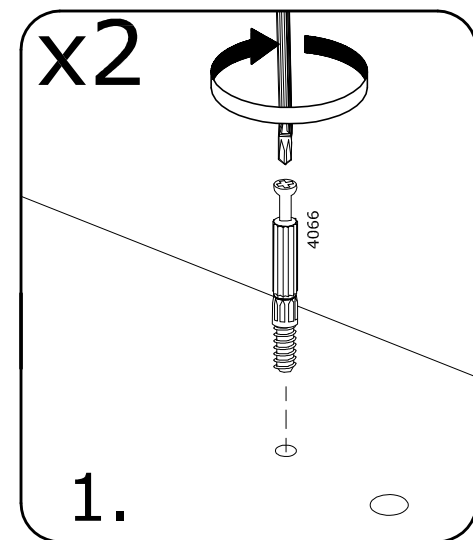
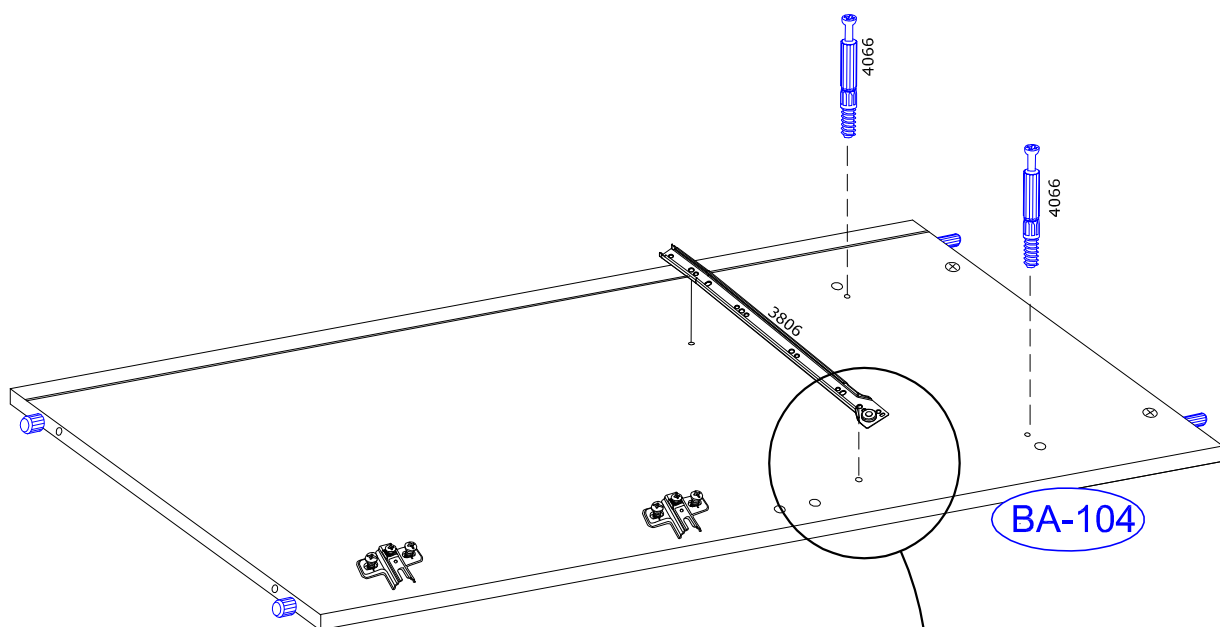
# 5

<p>3996 x2</p>	<p>3989 x4</p>	<p>3806 x2</p>		<p>⊕ PH2</p>
--------------------	--------------------	--------------------	--	--------------



# 6

<p>4066 x2</p>	<p>3877 x2</p>	<p>3806 x1</p>		<p>⊕ PH2</p>
--------------------	--------------------	--------------------	--	--------------



# 7

3996

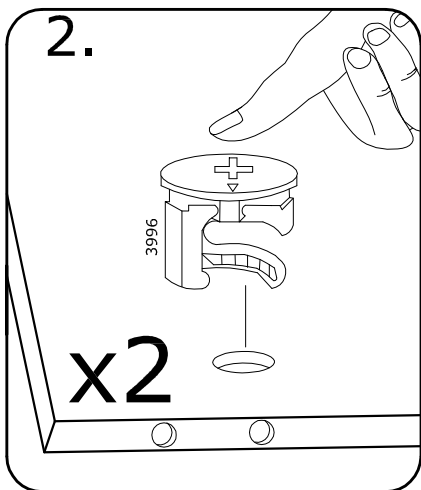
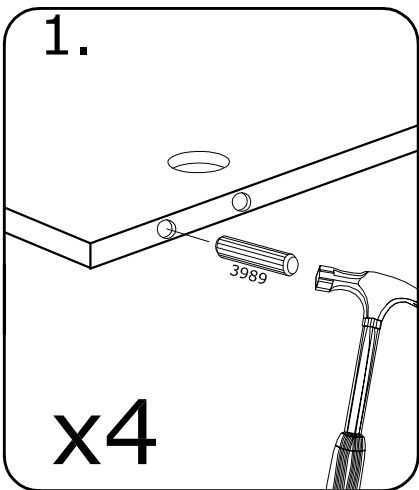
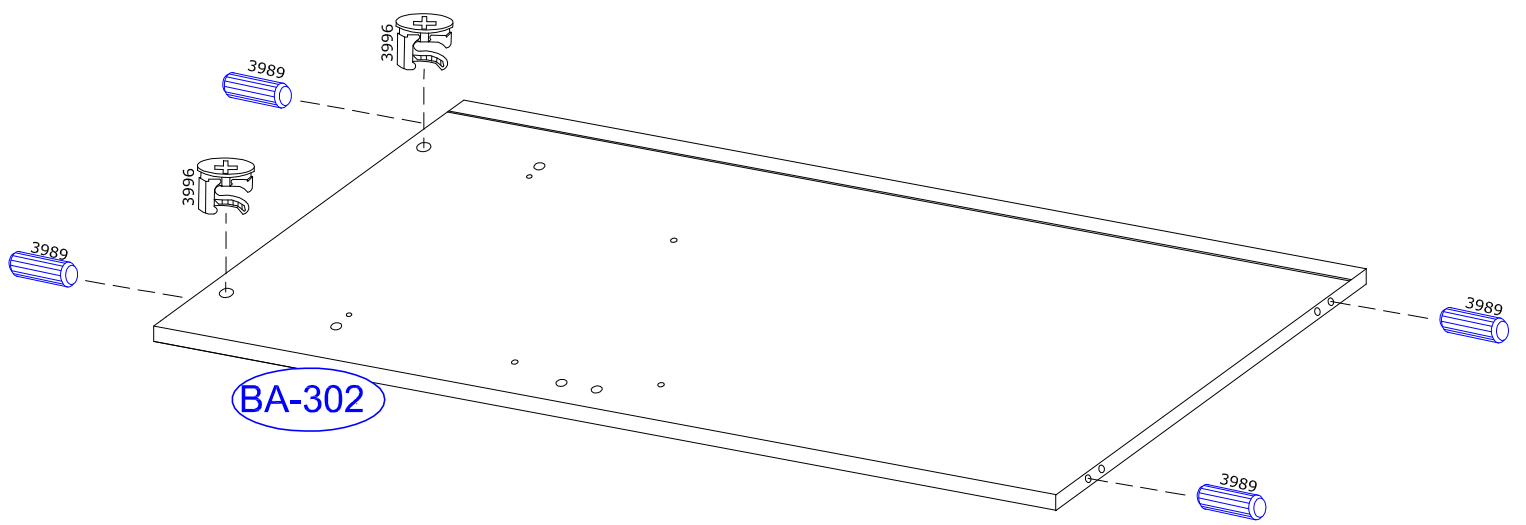
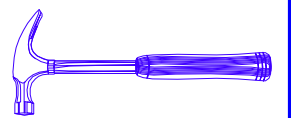


x2

3989

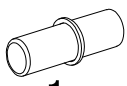


x4



# 8

4017



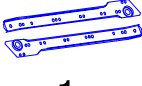
x1

3877



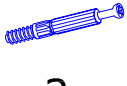
x2

3806

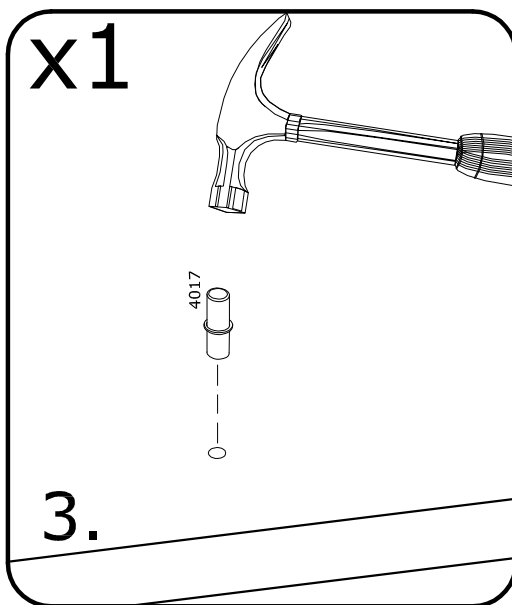
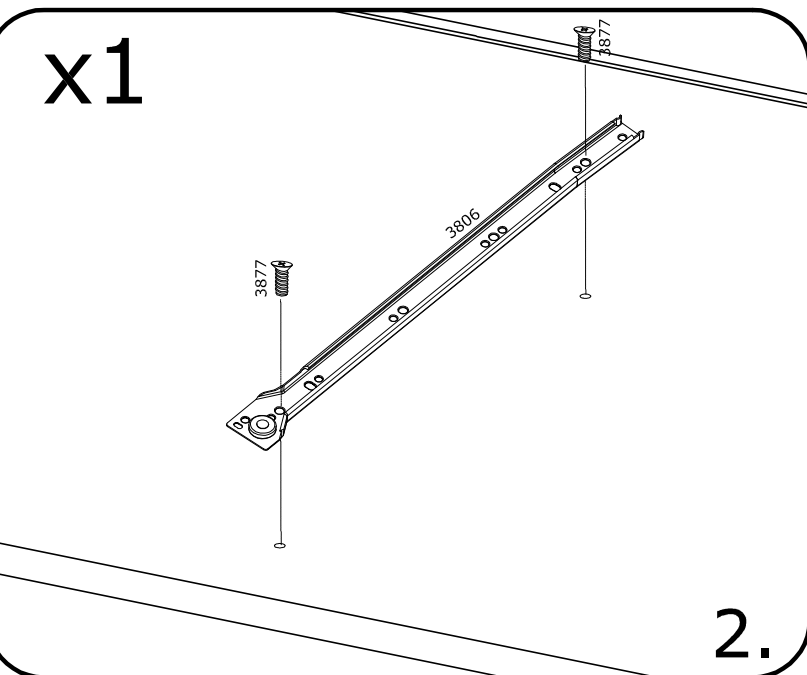
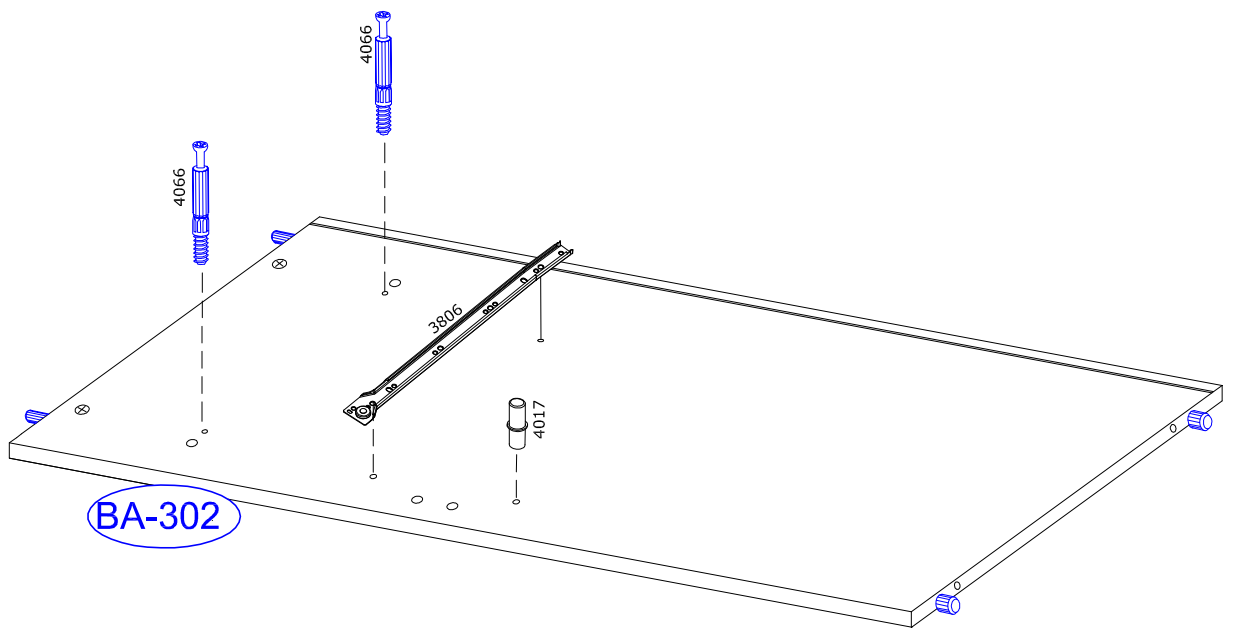
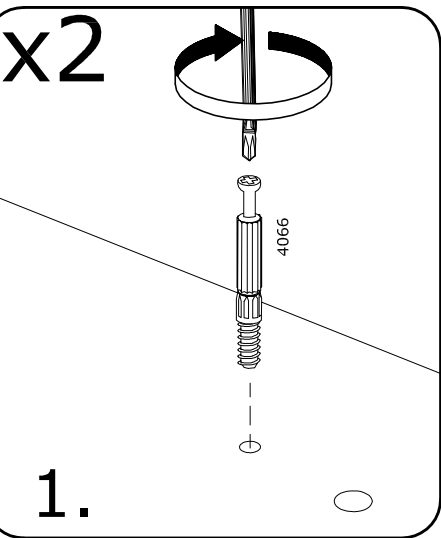
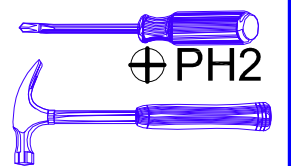


x1

4066



x2



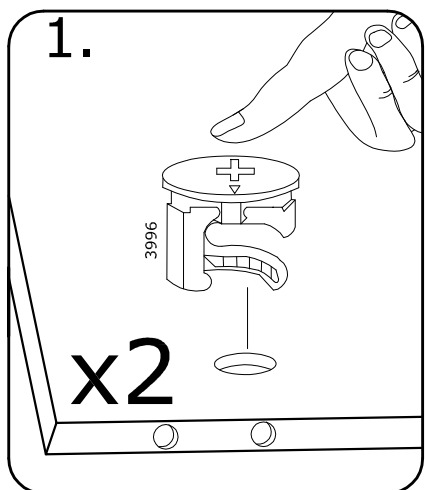
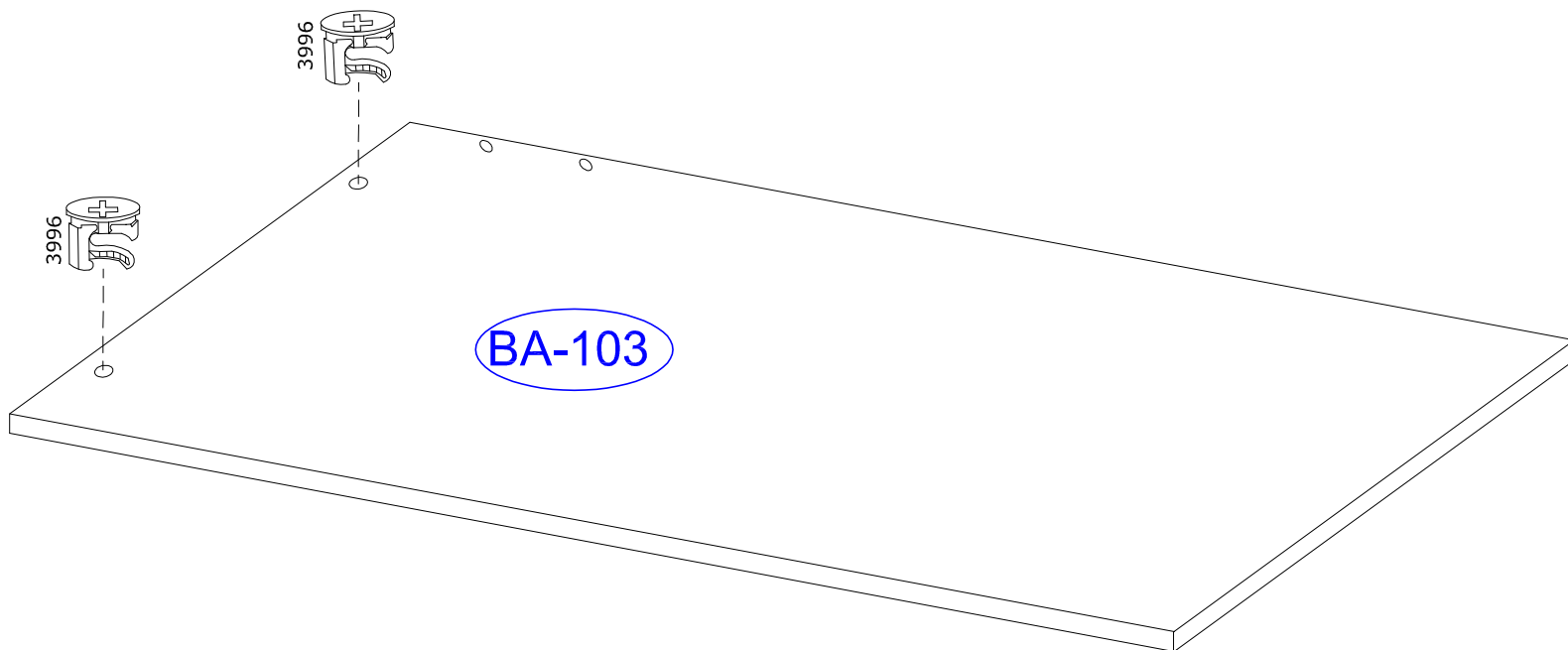


# 9

3996

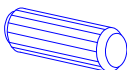


x2



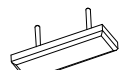
# 10

3989

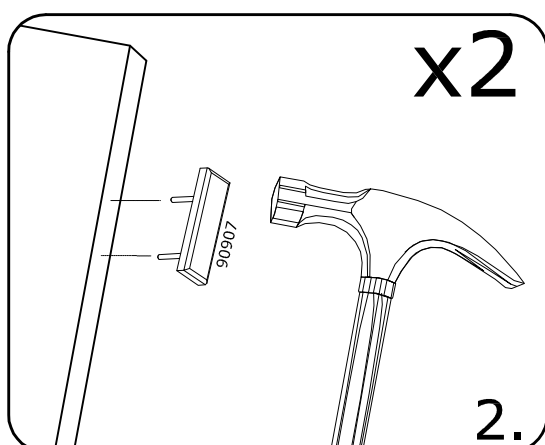
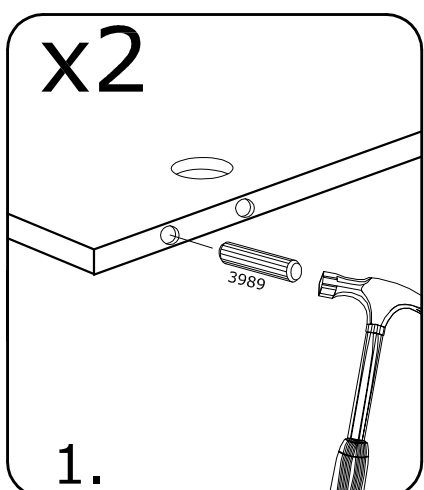
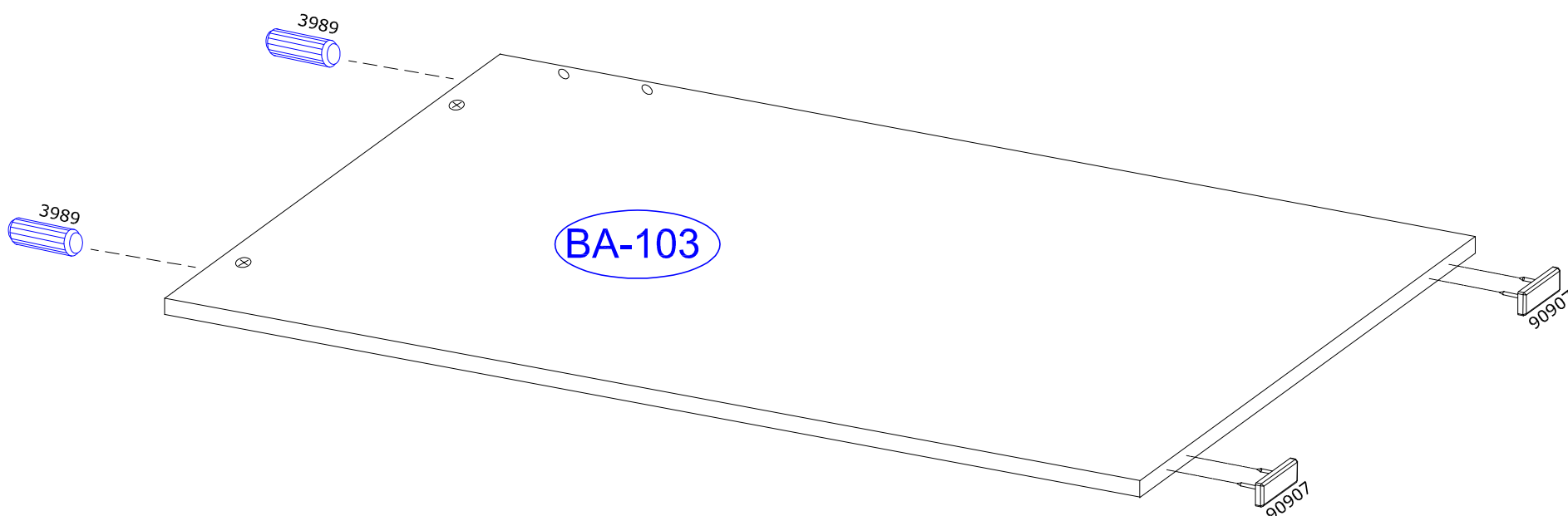
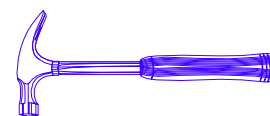


x2

90907



x2



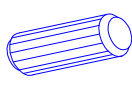
# 11

3996

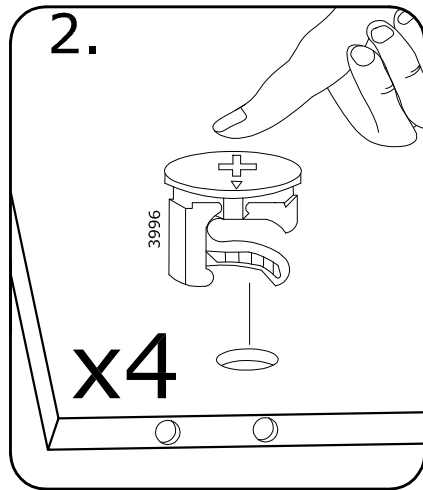
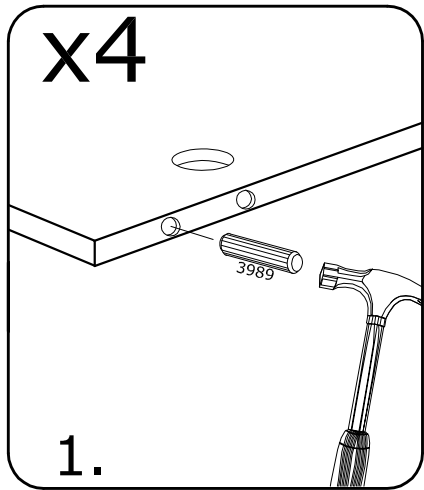
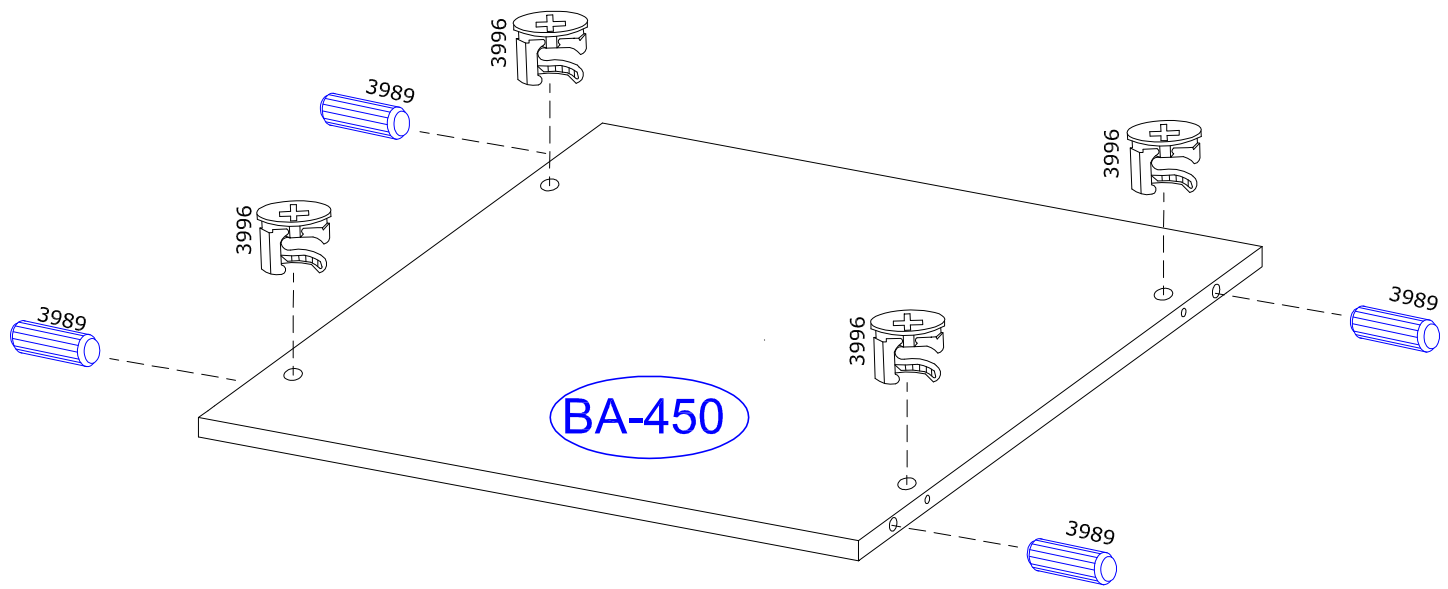
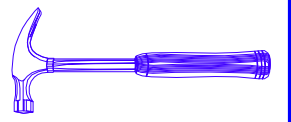


x4

3989

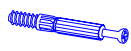


x4

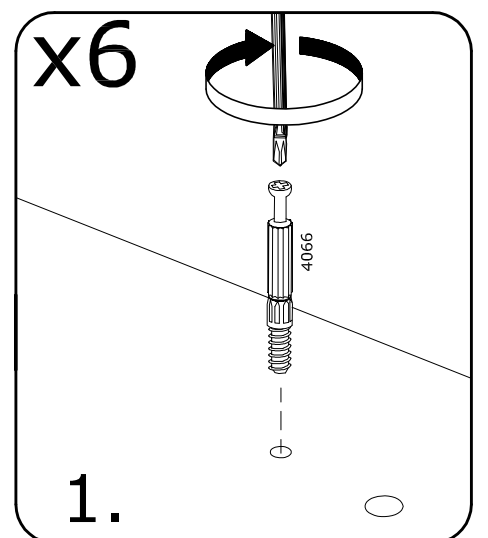
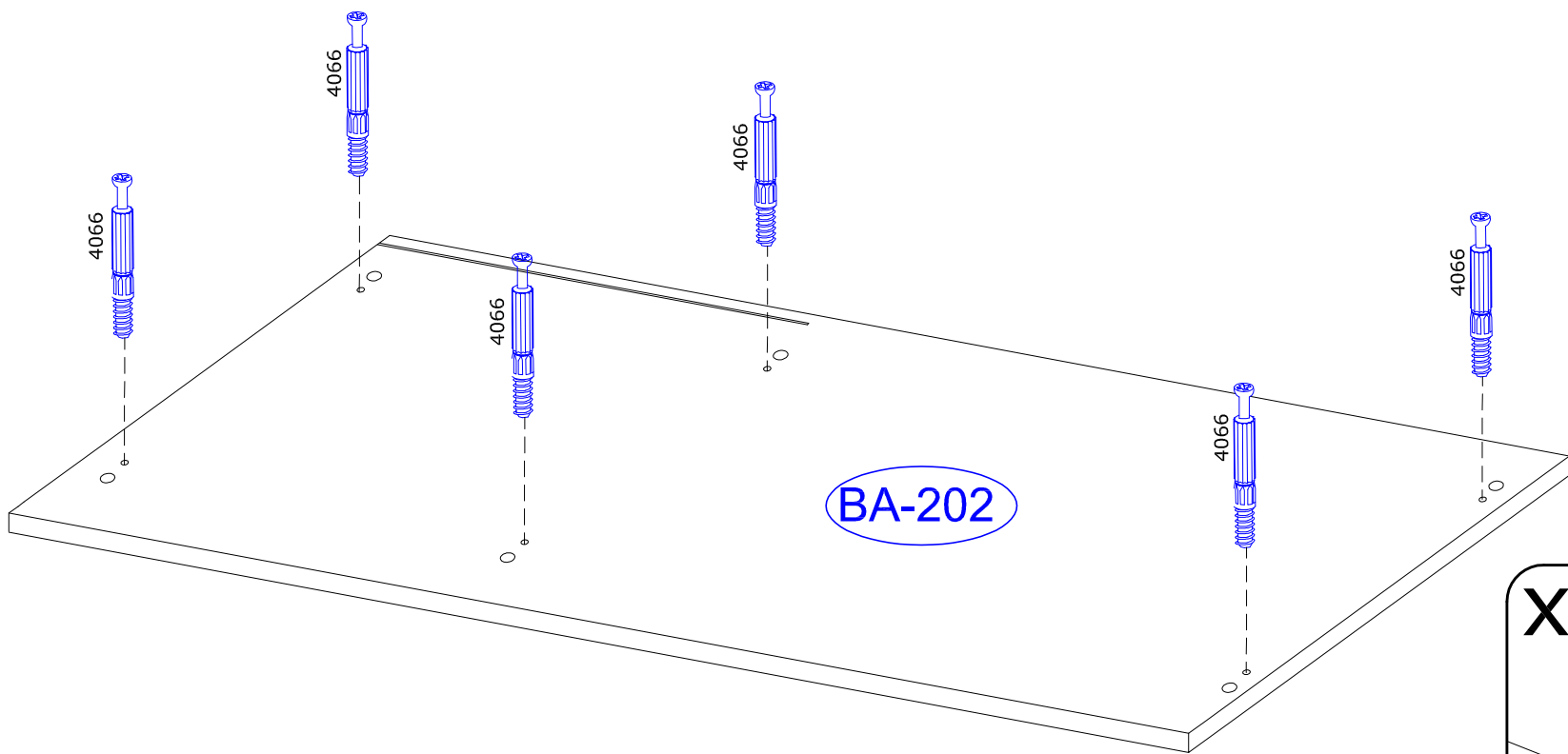
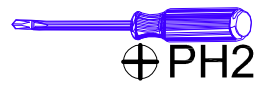


# 12

4066

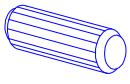


x6

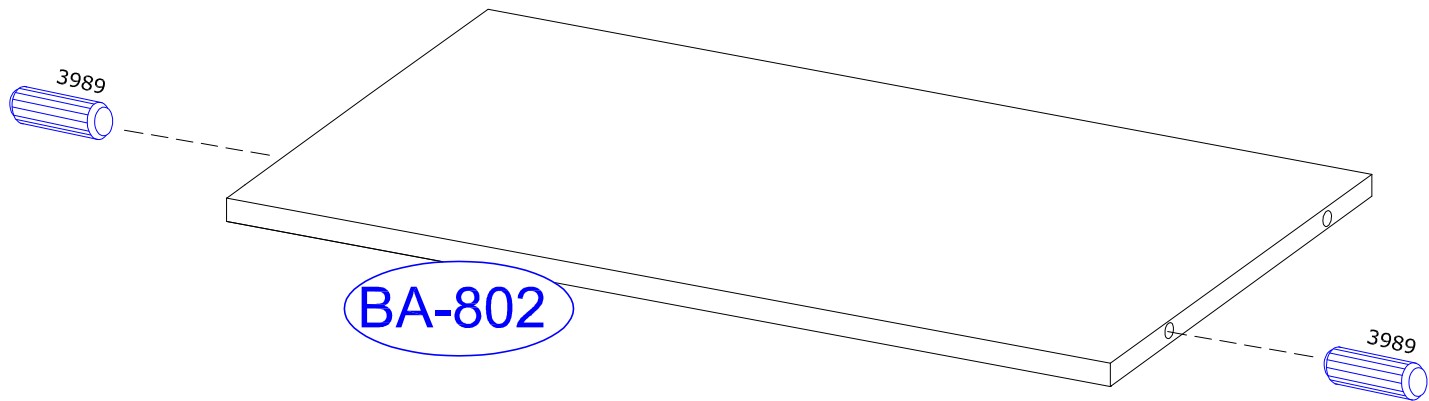
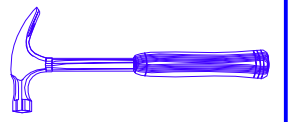


# 13

3989

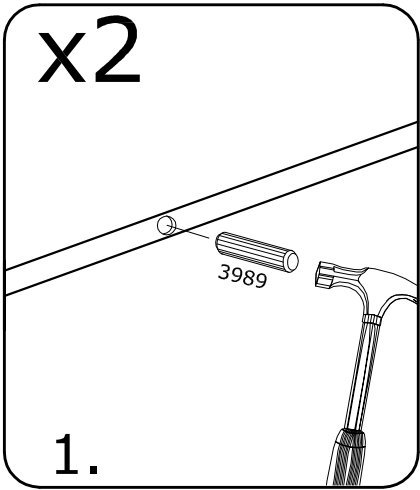


x2



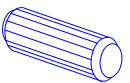
BA-802

x2

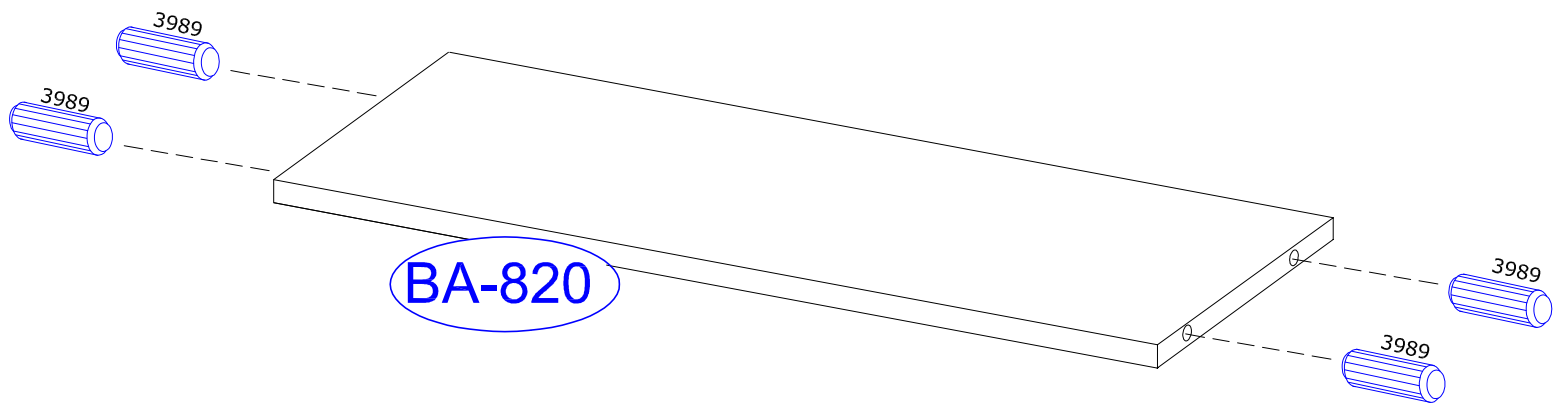
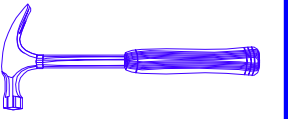


# 14

3989

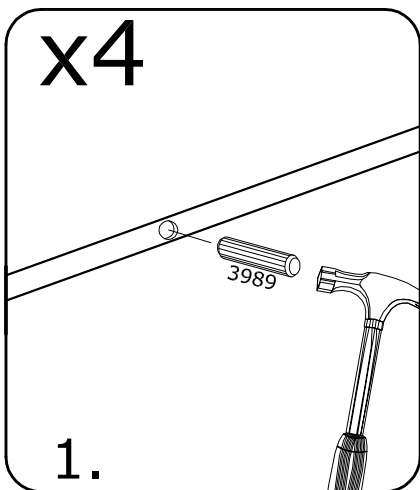


x4



BA-820

x4



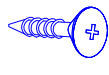
# 15

68850

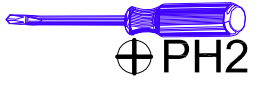


x2

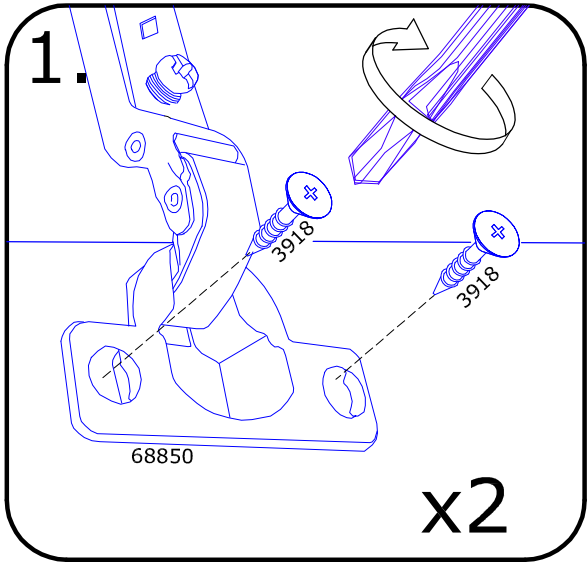
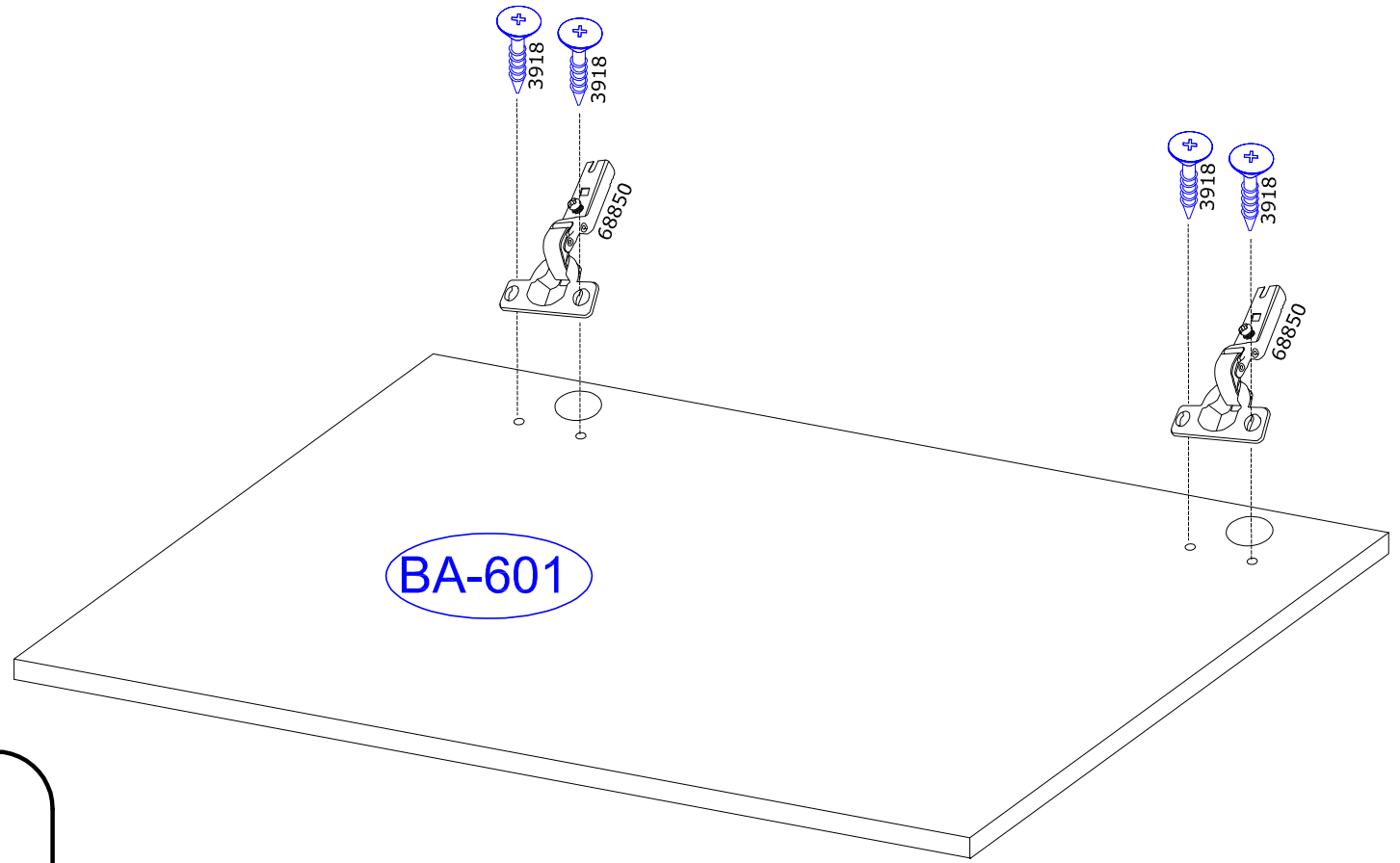
3918



x4



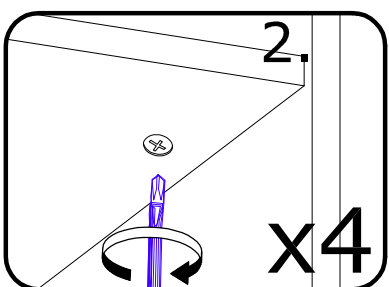
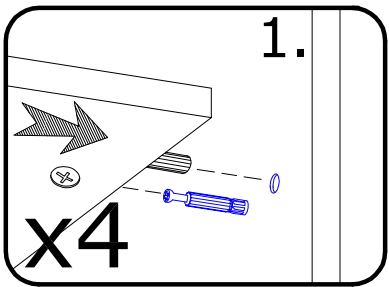
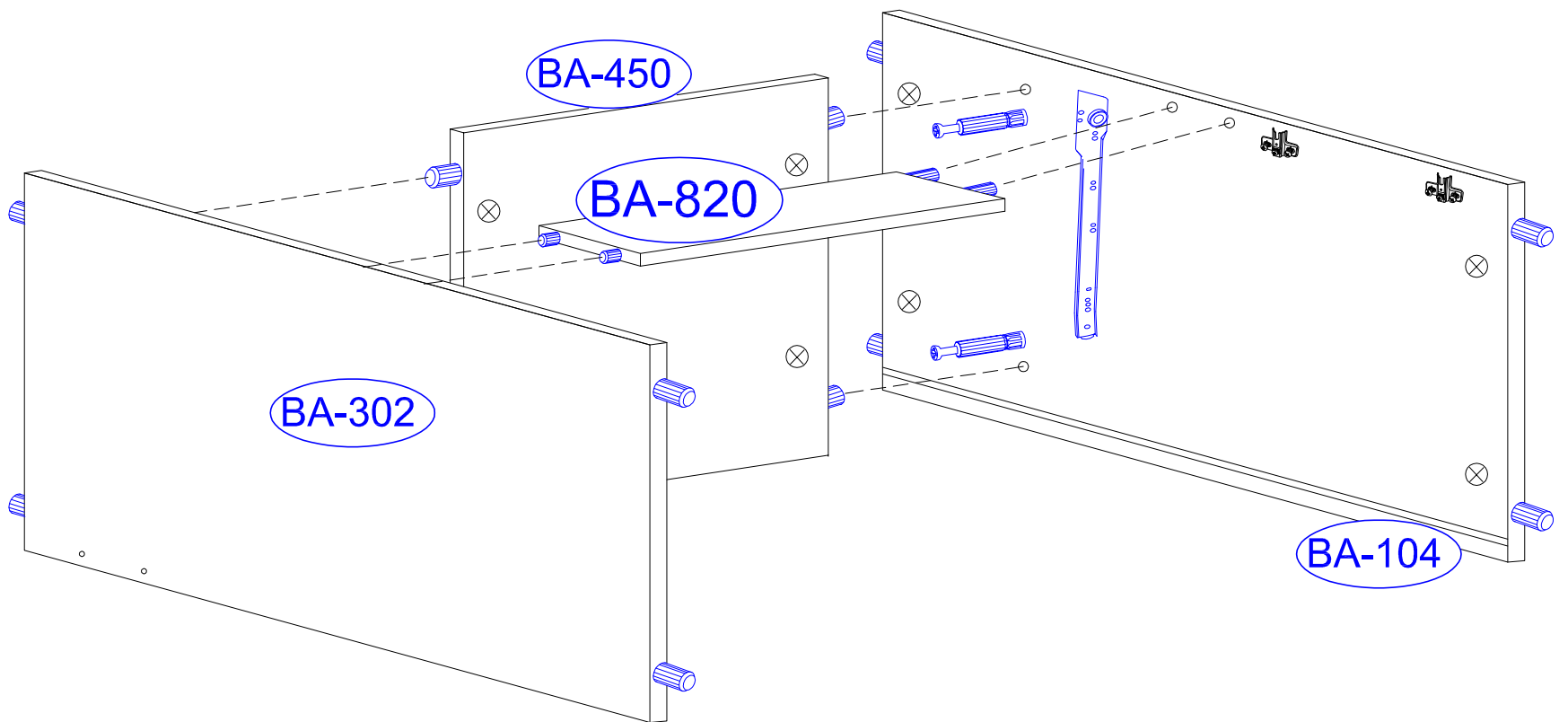
⊕ PH2



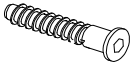

# 16

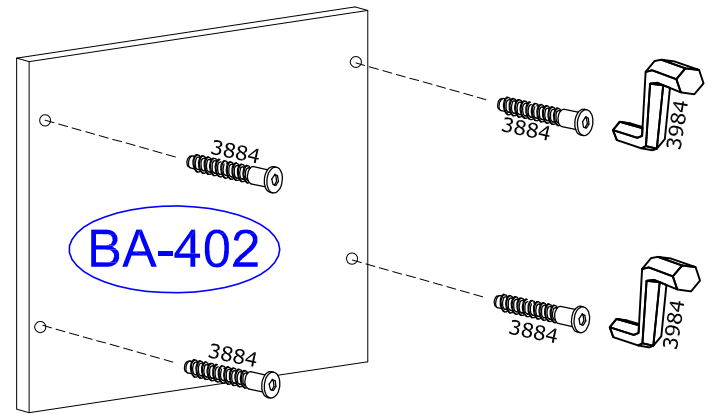
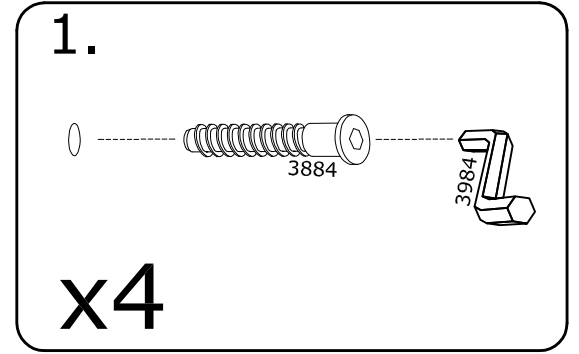
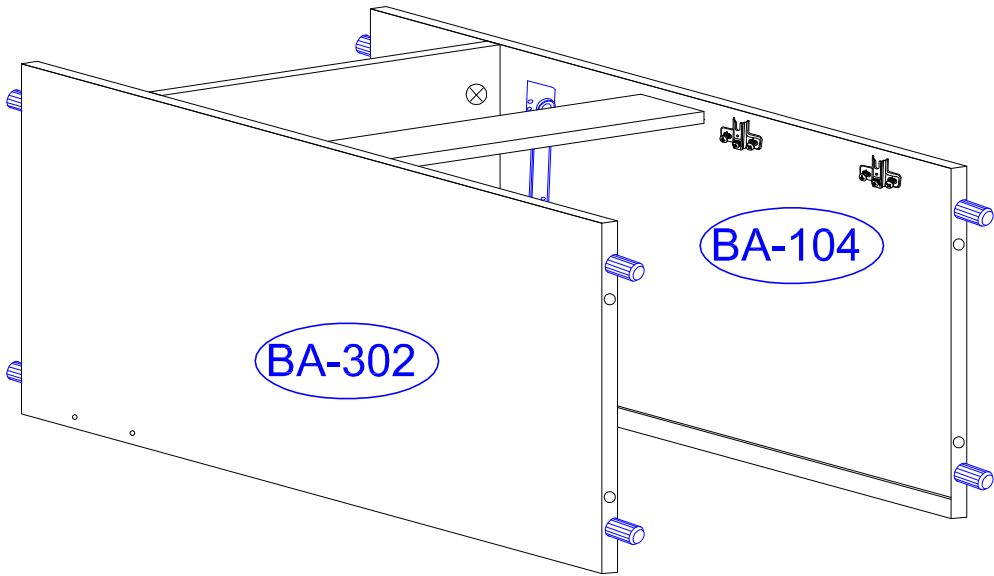


⊕ PH2

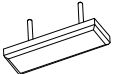


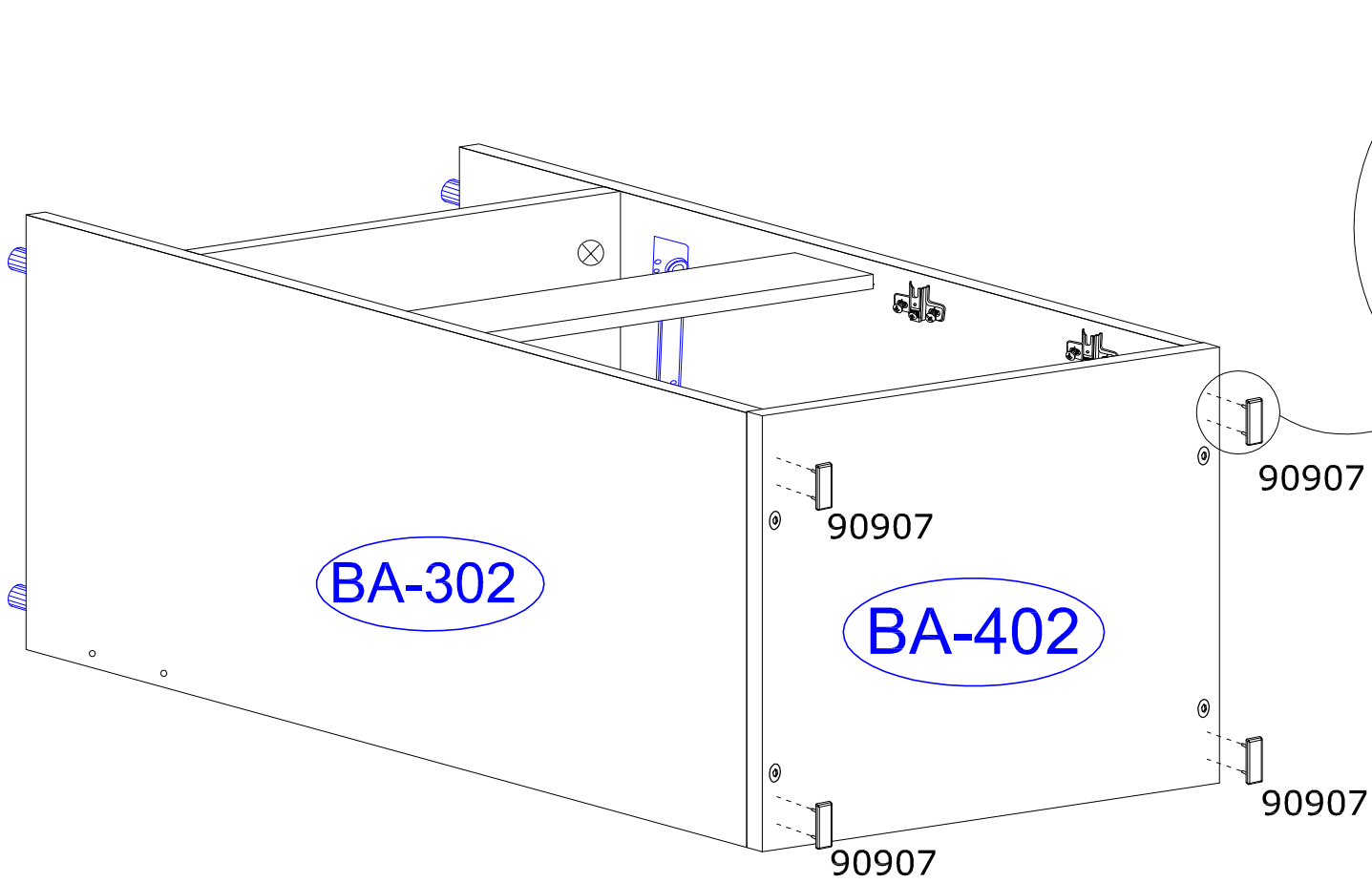
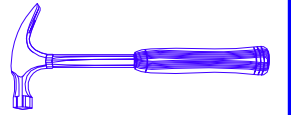
# 17

3884  x4	3984  x1
---	---



# 18

90907  x4
--



# 19

3884

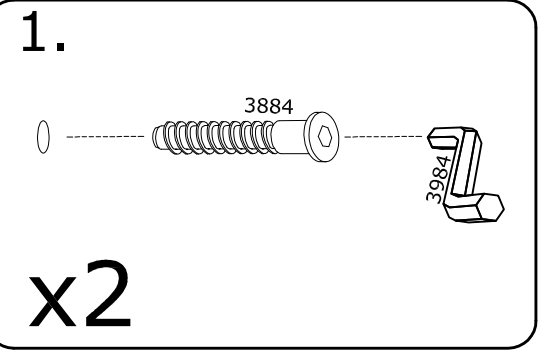
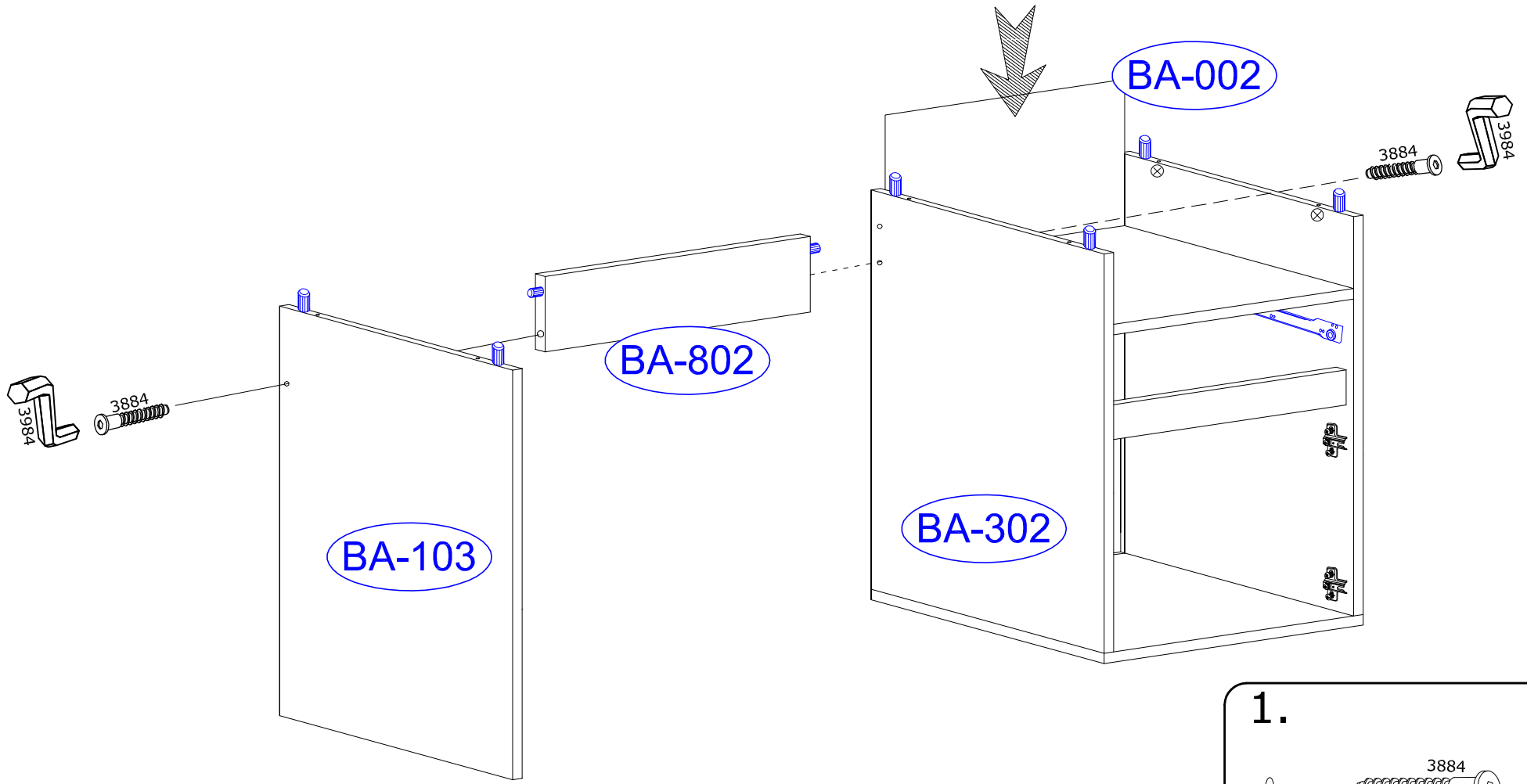


x2

3984



x1

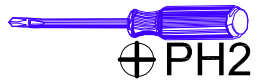


# 20

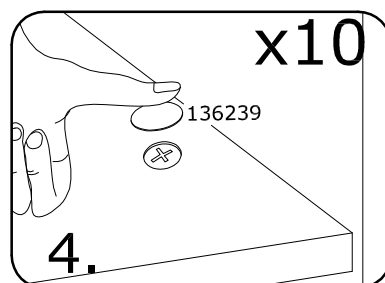
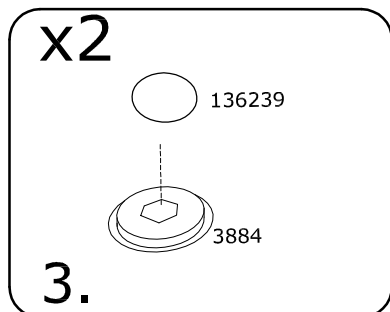
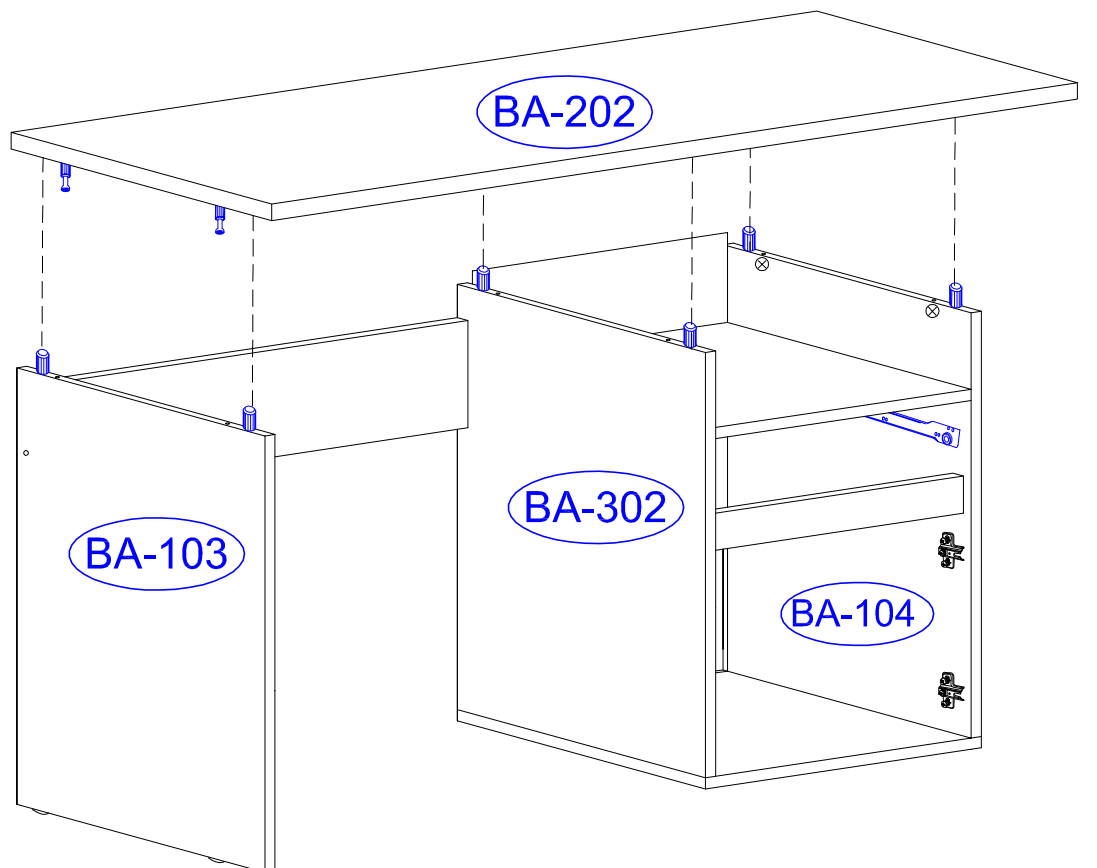
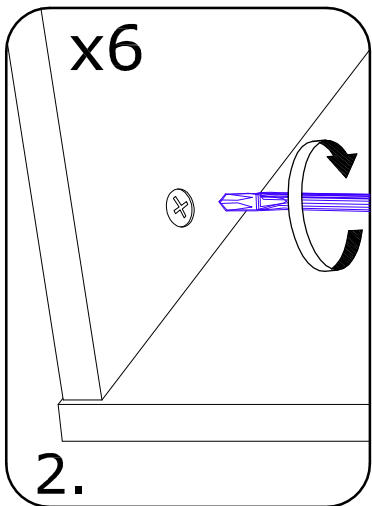
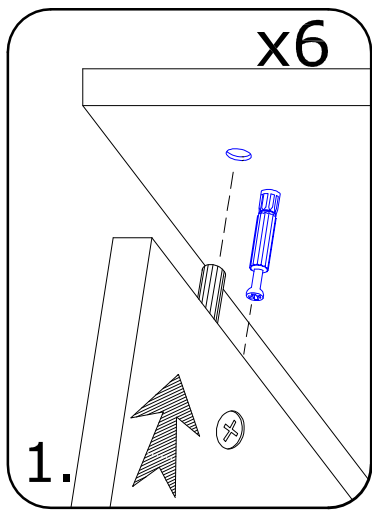
136239



x12

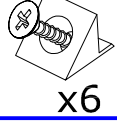


⊕ PH2



# 21

4044



x6

